

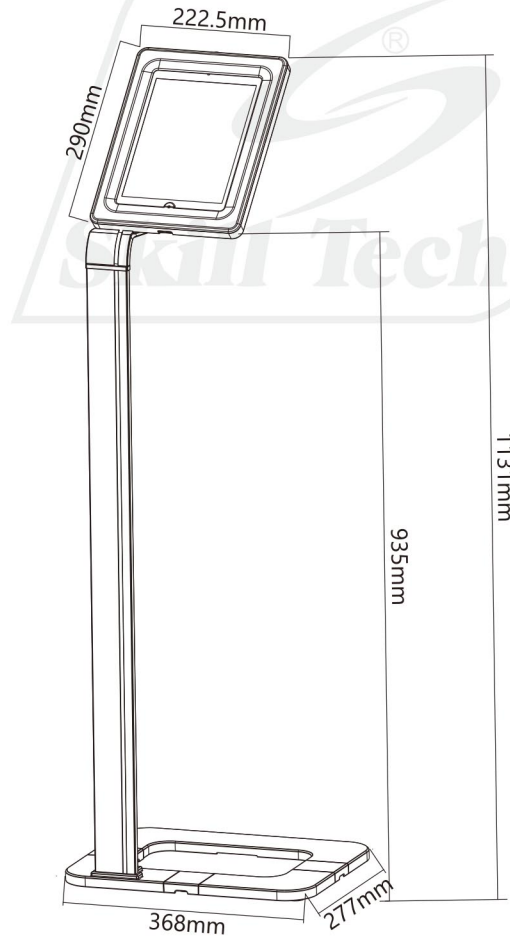
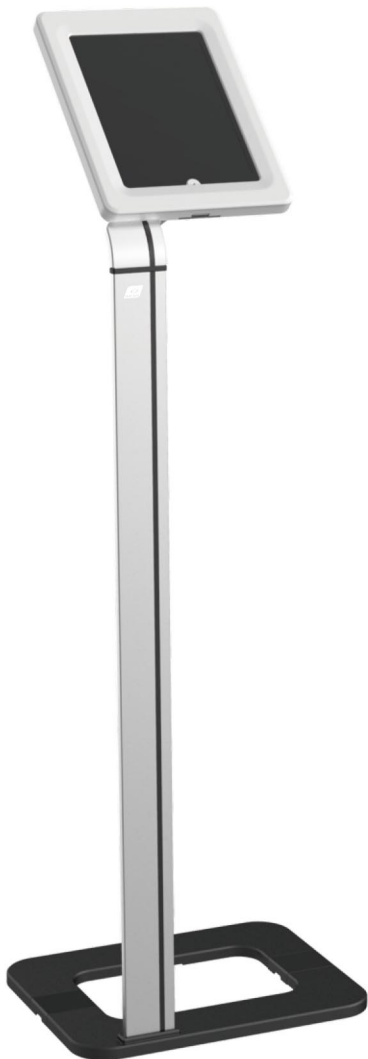
# SH PAD 02

## Universal Anti-theft Tablet Floor Stand

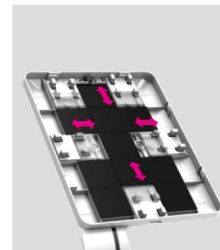
Universal for iPad 1/2/3/4/Air, Galaxy and most 9.7"-10.1" tablets.



\* iPad, Macintosh, Mac and the Mac logos are trademarks of Apple Computer, Inc., registered in the U.S. and other countries.  
\* All other product names and images, trademarks, art, artists and organization names referred on this package and product are the property of their respective owners, which are unassociated and unaffiliated with Apple Computer, Inc.



**Detachable case**  
compatible with VESA 75x75 plate for  
landscape & portrait installation.



**Adjust width**  
inside to fit different  
tablet size.



**Cables guided**  
through the tube  
inside.



**Covering design prevent public touch of  
HOME button**